

# RS 4000A

## Reference Standard Series 3-Way

### SPECIFICATIONS

**ACOUSTIC & ELECTRICAL SPECIFICATIONS:**

- Nominal Impedance: 6 ohms
- Power Rating: 25-125 watts RMS
- Sensitivity: 89dB @ 1 watt, 1 meter
- Crossover Frequencies: 800Hz and 3,500Hz
- Frequency Response: 45Hz-45kHz +/-3dB

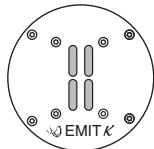
**PRODUCTION HISTORY**

- Introduced in 1988
- Discontinued 1990
- Original Retail Price: \$470.00/pair

**PHYSICAL SPECIFICATIONS:**

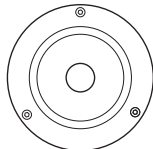
- 1x - EMIT *k*<sup>TM</sup> Tweeter
- 1x - 3.5" (6.5cm) Polypropylene Midrange
- 1x - 8" (20.3cm) Polypropylene Woofer
- Dimensions: 22.5"H x 12.5"W" x 10.25"D  
57cm(H) x 31.75cm(W) x 26cm(D)
- Cabinet: Not Sold
- Grille: #A026-2632
- Crossover: #A015-263
- Logo: #716-8227-A

### TECHNICAL INFORMATION

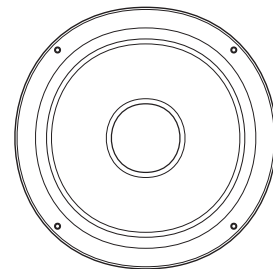


TWEETER  
#902-2645

TWEETER DIAPHRAGM  
#751-3221

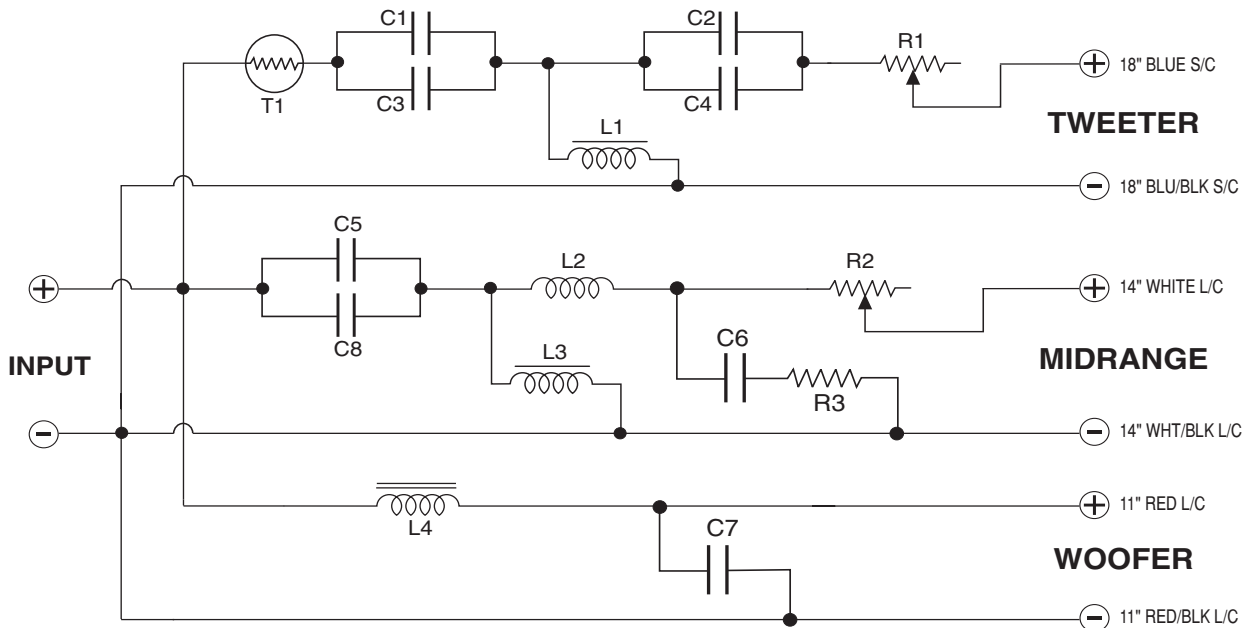


MIDRANGE  
#902-2652

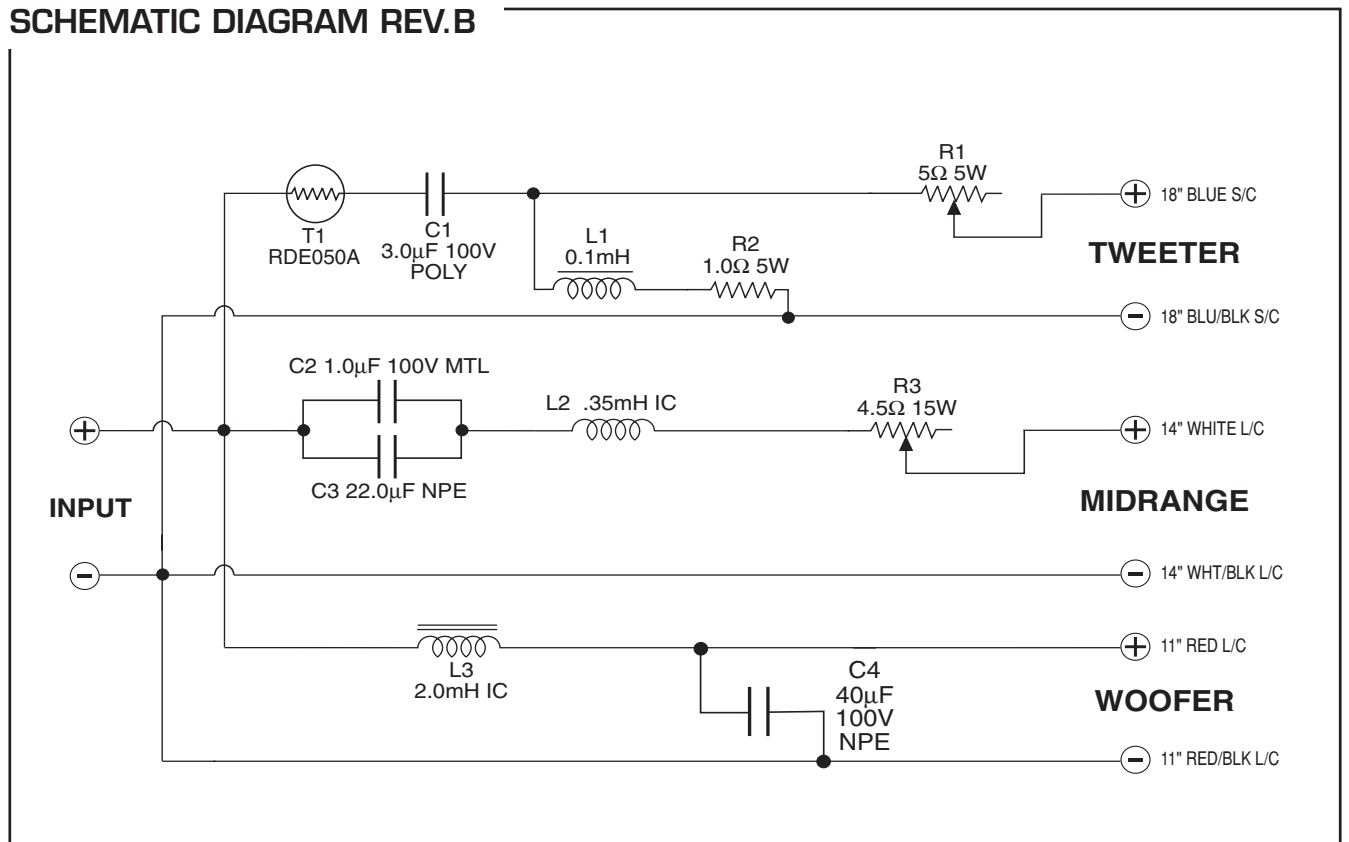


8" WOOFER  
#902-2666

**SCHEMATIC DIAGRAM REV.A (See rear for Rev.B)**



**SCHEMATIC DIAGRAM REV.B**



**RS 4000A Reference Standard 3-Way**